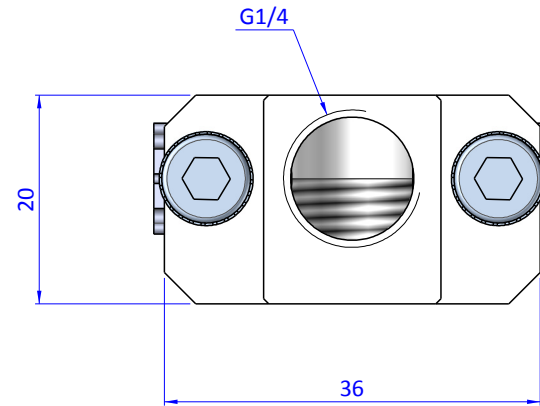
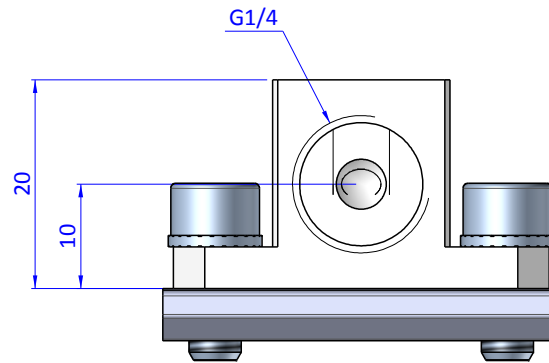
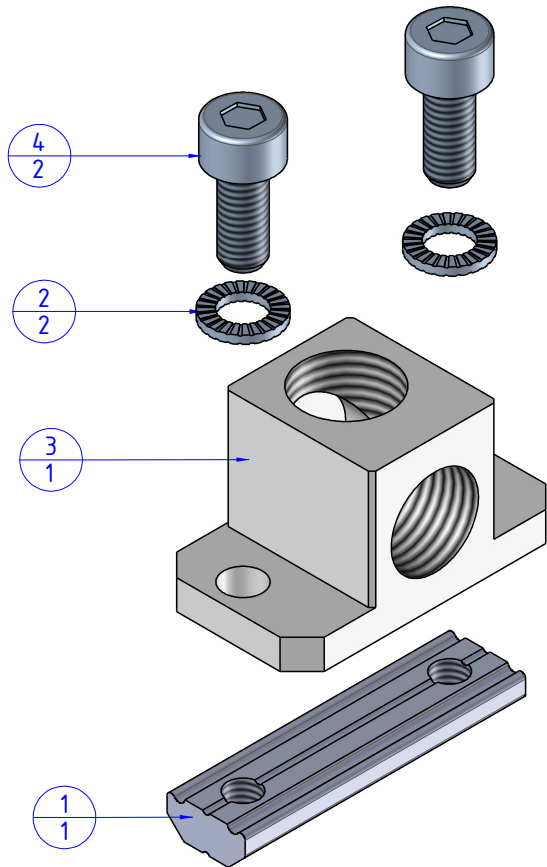


Item	Name	Q.ty
1	CA.GWP.5.28	1
2	R.5.SCH	2
3	SGB.14.14.X	1
4	V.TCE5x12	2



THE PROPERTY OF THE DRAWING IS ESTABLISHED BY LAW. IT IS FORBIDDEN TO PRODUCE OR SHOW IT TO THIRD PARTY, WITHOUT A WRITTEN AGREEMENT.

Format A3

UNI 936-76

		DESIGNED FROM		REVIEW
		FPSERVICES		A
GENERAL TOLERANCE		DATE	WEIGHT	
UNI - ISO 2768		28/02/2019	0,036kg	
CLASSE f		CODE		
		CA.SGB.14.14.X		CA.SGB.14.14.X